








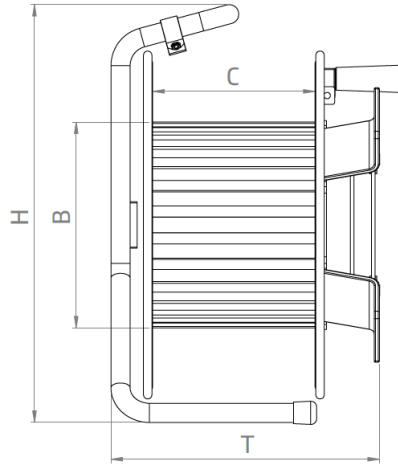
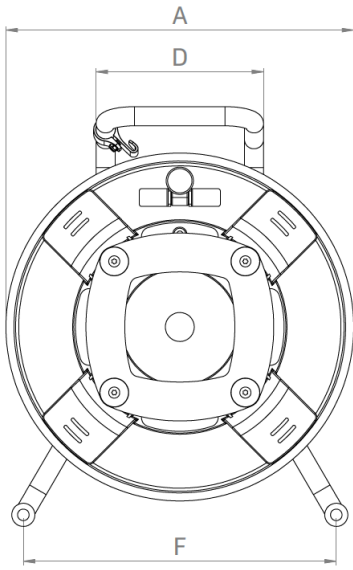


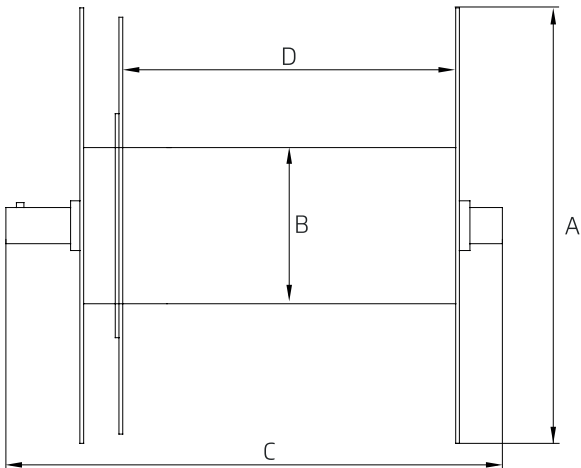
CABLE REELS - OVERVIEW

| Part. number | Color | Material | Cable Diameter (mm) | Maximum Cable Length (m) | Dimensions mm | | | | | | | Weight without cable |
|--------------|--|-------------|---------------------|--------------------------|---------------|-----|-----|-----|-----|-----|-----|----------------------|
| | | | | | A | B | C | D | F | H | T | |
| HT-300 |  Black | Sheet Metal | 5,0 | 200 | 300 | 178 | 142 | 146 | 265 | 360 | 232 | 3,10 kg |
| 5,5 | | | 150 | | | | | | | | | |
| 6,5 | | | 125 | | | | | | | | | |
| 10,0 | | | 50 | | | | | | | | | |
| HT-380 |  Black | Sheet Metal | 5,0 | 450 | 380 | 178 | 142 | 175 | 300 | 450 | 230 | 5,30 kg |
| 5,5 | | | 375 | | | | | | | | | |
| 6,5 | | | 259 | | | | | | | | | |
| 10,0 | | | 100 | | | | | | | | | |
| HT-385 |  Black | Sheet Metal | 5,0 | 700 | 380 | 176 | 210 | 175 | 300 | 460 | 309 | 5,66 kg |
| 5,5 | | | 550 | | | | | | | | | |
| 6,5 | | | 400 | | | | | | | | | |
| 10,0 | | | 125 | | | | | | | | | |
| HT-485 |  Black | Sheet Metal | 5,0 | 1000 | 460 | 178 | 210 | 175 | 350 | 545 | 290 | 7,60 kg |
| 5,5 | | | 900 | | | | | | | | | |
| 6,5 | | | 650 | | | | | | | | | |
| 10,0 | | | 200 | | | | | | | | | |
| MP-HT-300 |  Black | Sheet Metal | 5,0 | 200 | 300 | 178 | 142 | 146 | 265 | 360 | 232 | 3,10 kg |
| 5,5 | | | 150 | | | | | | | | | |
| 6,5 | | | 125 | | | | | | | | | |
| 10,0 | | | 50 | | | | | | | | | |
| MP-HT-380 |  Black | Sheet Metal | 5,0 | 450 | 380 | 178 | 142 | 175 | 300 | 450 | 230 | 5,30 kg |
| 5,5 | | | 375 | | | | | | | | | |
| 6,5 | | | 259 | | | | | | | | | |
| 10,0 | | | 100 | | | | | | | | | |
| MP-HT-385 |  Green | Sheet Metal | 5,0 | 700 | 380 | 176 | 210 | 175 | 300 | 460 | 309 | 5,66 kg |
| 5,5 | | | 550 | | | | | | | | | |
| 6,5 | | | 400 | | | | | | | | | |
| 10,0 | | | 125 | | | | | | | | | |
| MP-HT-485 |  Sand | Sheet Metal | 5,0 | 1000 | 460 | 178 | 210 | 175 | 350 | 545 | 290 | 7,60 kg |
| 5,5 | | | 900 | | | | | | | | | |
| 6,5 | | | 650 | | | | | | | | | |
| 10,0 | | | 200 | | | | | | | | | |
| R-105 |  Black | Sheet Metal | 3,0 | 2000 | 350 | 125 | 400 | 250 | N/A | N/A | N/A | 3,5 kg |
| 5,0 | | | 700 | | | | | | | | | |
| 5,5 | | | 500 | | | | | | | | | |
| 6,5 | | | 350 | | | | | | | | | |
| 10,0 | | | 150 | | | | | | | | | |
| 12,0 | | | 100 | | | | | | | | | |

HT-SERIES & MP-HT-SERIES MEASUREMENTS



R-105 MEASUREMENTS



HT-SERIES



MP-HT-SERIES



R-105

